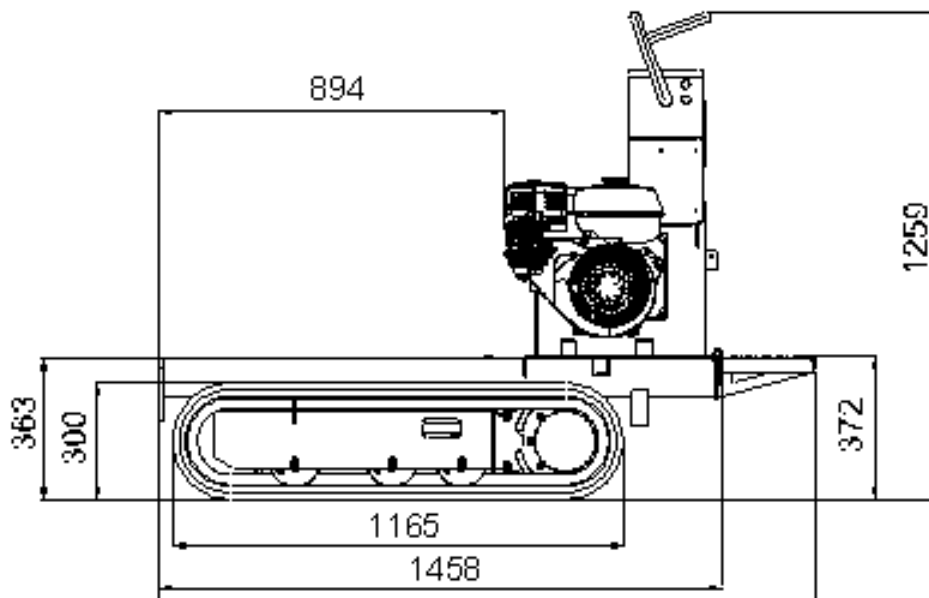
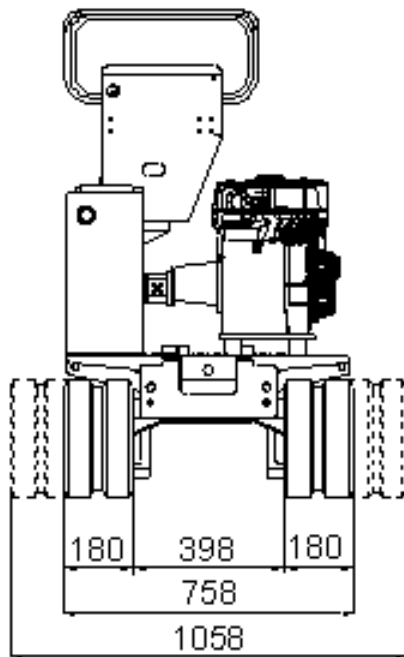




# MINIDUMPER HS850 PETROL



# MINIDUMPER HS850

## PETROL

### Petrol engine

Brand ..... Honda  
Type ..... GX270  
Pistons and displacement ..... Single-cylinder 270 cc  
Max gross power @ rev/min ..... 9 HP - 6,92 kw @ 3600 rev/min  
Max gross power ..... 3500 rev/min  
Starting ..... manual  
Performance ..... Max inclination 20° (approx. 36,4%)  
Granted noise level ..... Lwa 101 dB

### Distributor

Type ..... Mechanical

### Hydraulic pumps

Number and type ..... n° 3 gear pumps  
Liters/min capacity ..... 14,5 l/min  
Pressure ..... 150 bar

### Drive motors

Type ..... Orbital  
Displacement ..... 65 cc

### Tracks

Track tensioner ..... Grease track tensioner  
Brand ..... BRIDGESTONE  
Dimensions ..... 180 x 72 x 35 mm  
Rollers per side ..... 3  
Translation speed ..... 2,1 - 3,4 km/h  
Fixed undercarriage ..... 758 / 1058 mm  
Capacity (incl. kit) ..... 850 kg

Operating weight fixed undercarriage / widening  
(without operator) ..... 385 / 470 kg  
Petrol fuel tank ..... 6 liters